

FARETTO ART. 1014 e 1016 SPOT ART. 1014 e 1016



L'articolo 1014 è uno spot fisso con base piana, realizzato in tecnologia Led ad alta intensità luminosa e disponibile in due versioni (vedi tabella). La struttura è realizzata in alluminio anodizzato con schermo in policarbonato.

La tecnologia Power Led non prevede manutenzione nel tempo e garantisce nello stesso continuità di efficienza e prestazioni.

L'articolo 1016 è uno spot fisso con base ad incasso, protetto IP65. Copro in alluminio anodizzato naturale, particolarmente indicato come luce di segnalazione per veicoli di soccorso. Completo di lente focalizzante 25°.



Article 1014 is a fixed surface-mounted spotlight, is made of high intensity LED technology and available in two versions (as per table). Body made of natural anodized aluminum, diffuser made of polycarbonate.

Power Led technology does not need ordinary maintenance and grants great lifetime and performances.

Article 1016 is a fixed recess-mounted spotlight, waterproof IP65. Body made of natural anodized aluminium, especially designed for rear signaling light in emergency vehicles. Supplied with focus lens 25°.

Safety

According to	EN60598-2-13	CE
Reverse polarity protection	Diode Series	
Over Current	Fuse Track	
Over voltage input	Diode Zener	
Electric Strength	Class III	
Mounting surface	EN60598-1:2008 par 12.4	

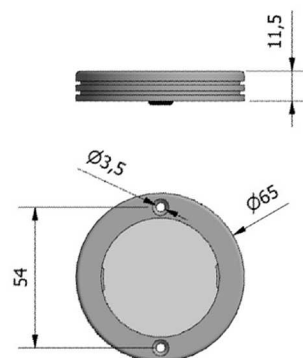
Art. 1014

Technical data for model:	LV39		TRV3
	12 Vdc	24 Vdc	12/24 Vdc
Max absorbed power	2.2 W	2.2 W	...27.6Vdc=4.8W
Supply rated voltage	10.5...16.5 Vdc	18.5...33 Vdc	10.5÷33Vdc
Input current	0.16 A	0.08 A	0.15÷0.41 A
ta. range temperature	-30 ... +40°C	-30 ... +40°C	-30 ... +40°C
Luminous angle	120°	120°	120°
Typical Luminous Flux	200 lm	200 lm	550 lm
Led colour temperature	CW-NW-WW	CW-NW-WW	CW-NW-WW
Weight	115 gr	115 gr	115 gr
Lifetimes*	50.000 hours	50.000 hours	50.000 hours

* Lifetime defines a lumen maintenance failure as any unit producing less than 70% of its initial output

Lighting efficiency

Distance (m)	TRV3	LV39 12V e 24V
0,5	500 lx	185 lx
1	125 lx	46 lx
1,5	56 lx	21 lx
2	32 lx	12 lx
2,5	20 lx	7 lx



Art. 1016

Technical data for model:	LV26	
	3 LEDs	6 LEDs
Max absorbed power	4.25 W	8.5 W
Supply rated voltage	11 - 33 Vdc	11 - 33 Vdc
Input current	0.38 - 0.12 A	0.77 - 0.25 A
ta. range temperature	-30 ... +40°C	-30 ... +40°C
Luminous angle	50°	50°
Typical Luminous Flux	420 lm	840 lm
Led colour temperature	CW-NW-WW	CW-NW-WW
Weight	160 gr	160 gr
Lifetimes*	50.000 hours	50.000 hours

* Lifetime defines a lumen maintenance failure as any unit producing less than 70% of its initial output

Lighting efficiency

Distance (m)	3 LEDs	6 LEDs
0,5	5400 lx	2700 lx
1	1400 lx	700 lx
1,5	600 lx	300 lx
2	340 lx	170 lx
2,5	217 lx	109 lx

